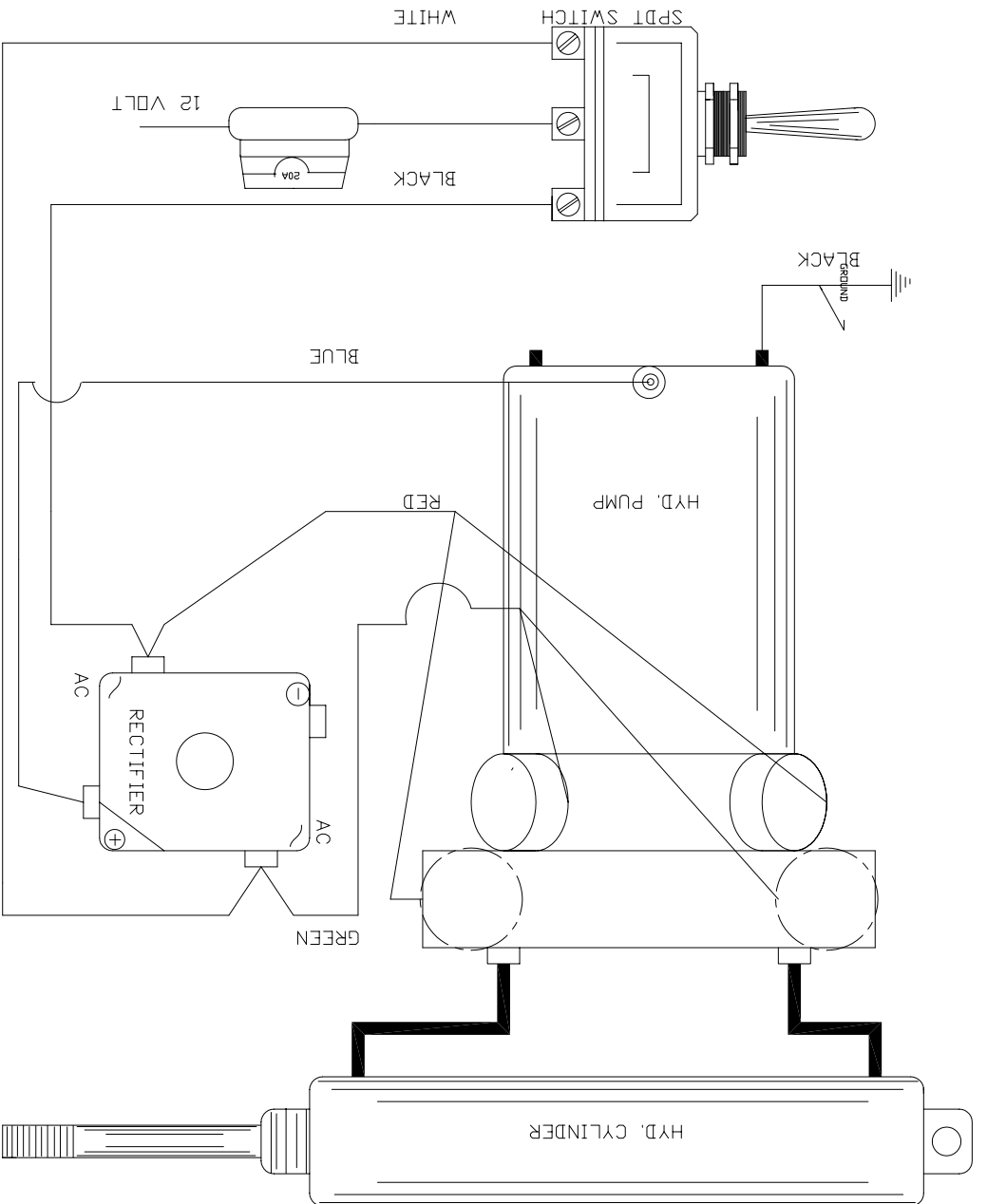


- PARTS LIST
- 1 Toggle Switch
  - 1 20 amp fuse
  - 1 Fuse Holder
  - 18 ft. wire
  - 3 Fork term.
  - 2 Plastic fittings
  - 4 Brass tubing inserts

NOTE: Plastic fittings are included to seal hydraulic lines as they pass through the transom. Drill the transom & tap 1/2-20.



Note:  
Use automatic transmission fluid. Cycle up and down several times then bleed all lines.

SPECIFICATIONS

CONTRACT NO.		DATE	
DRAWN			
CHECK			
DESIGN			
DESIGN ACTIVITY			
CUSTOMER			
AMERICAN TURBINE			
WIRING DIAGRAM			
SIZE	FSCM NO.	DWG NO.	
A		HYDWIR1	
SCALE	NDNE	RELEASE DATE	SHEET of